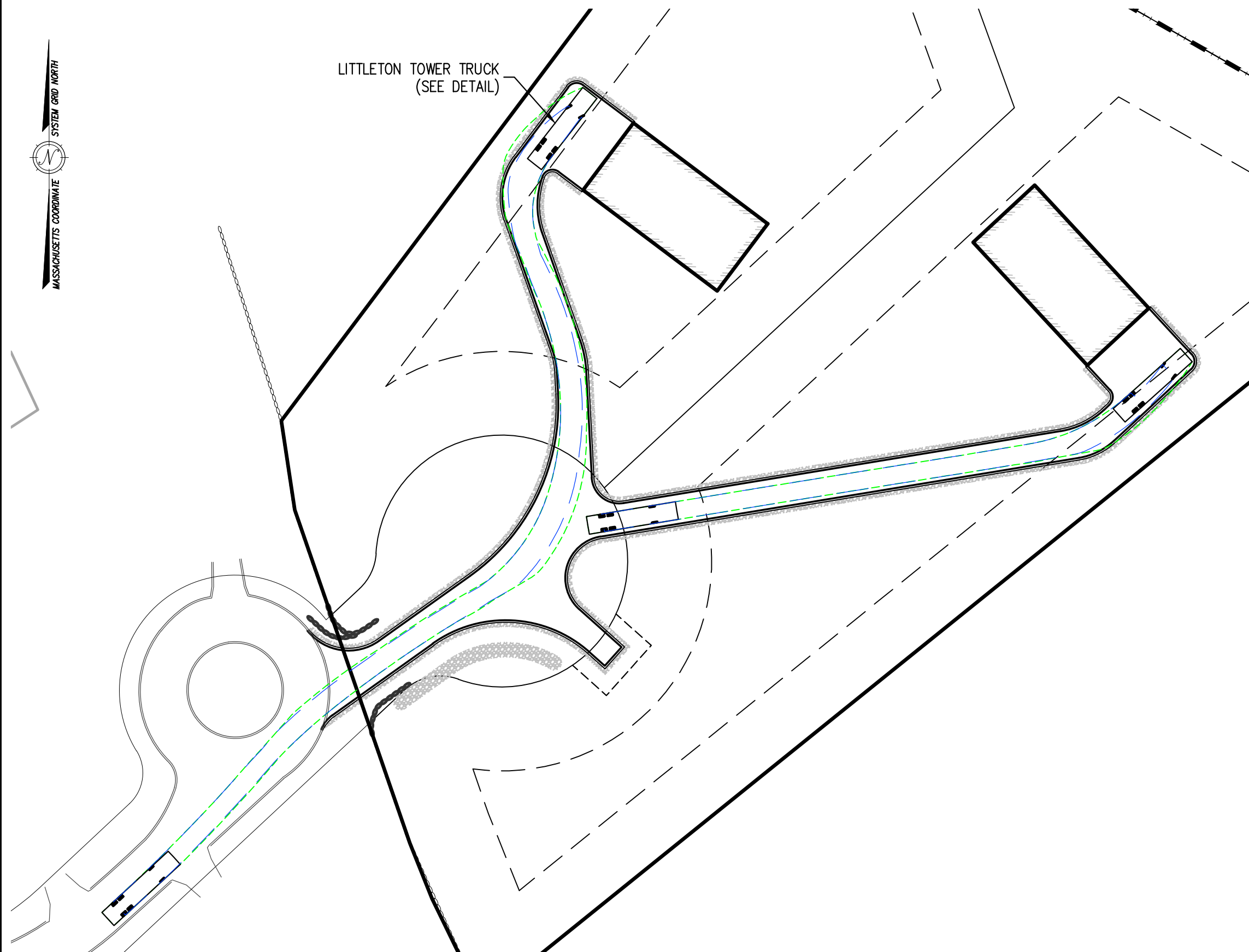


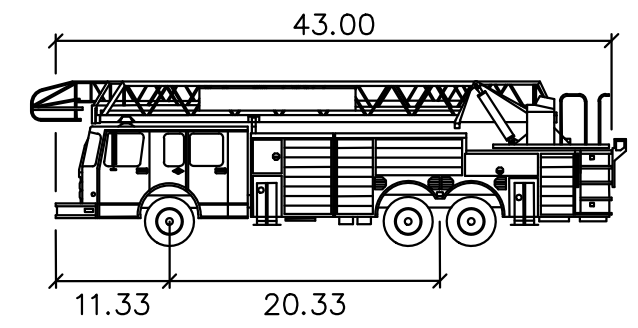
MASSACHUSETTS COORDINATE SYSTEM GRID NORTH

LITTLETON TOWER TRUCK
(SEE DETAIL)



LEGEND

PROP. FEATURE	DESCRIPTION
	TRUCK OVERHANG
	WHEEL PATH



Littleton Tower Truck

	feet
Width	: 8.50
Track	: 8.50
Lock to Lock Time	: 6.0
Steering Angle	: 45.6

TURNING EXHIBIT (IN)

SCALE 1"=50'

TOWER 1 TURNING EXHIBIT PRIEST LANE BOXBOROUGH, MASSACHUSETTS

DATE: 5/21/21	SCALE: 1"=50'
APP.: BOXBOROUGH TOWN CENTER, LLC P.O. BOX 985 WEST ACTON, MA 01720	JOB NO. 6092P SHEET: 1 OF 2
DWG NO. 6092P- TURNING EXHIBIT	
DRAWN BY: RPV	CHECKED BY: GSR

DILLIS & ROY
CIVIL DESIGN GROUP

CIVIL ENGINEERS LAND SURVEYORS WETLAND CONSULTANTS
1 MAIN STREET, SUITE 1 LUNENBURG, MA 01462 PHONE: (978) 779-6091
www.dillissandroy.com