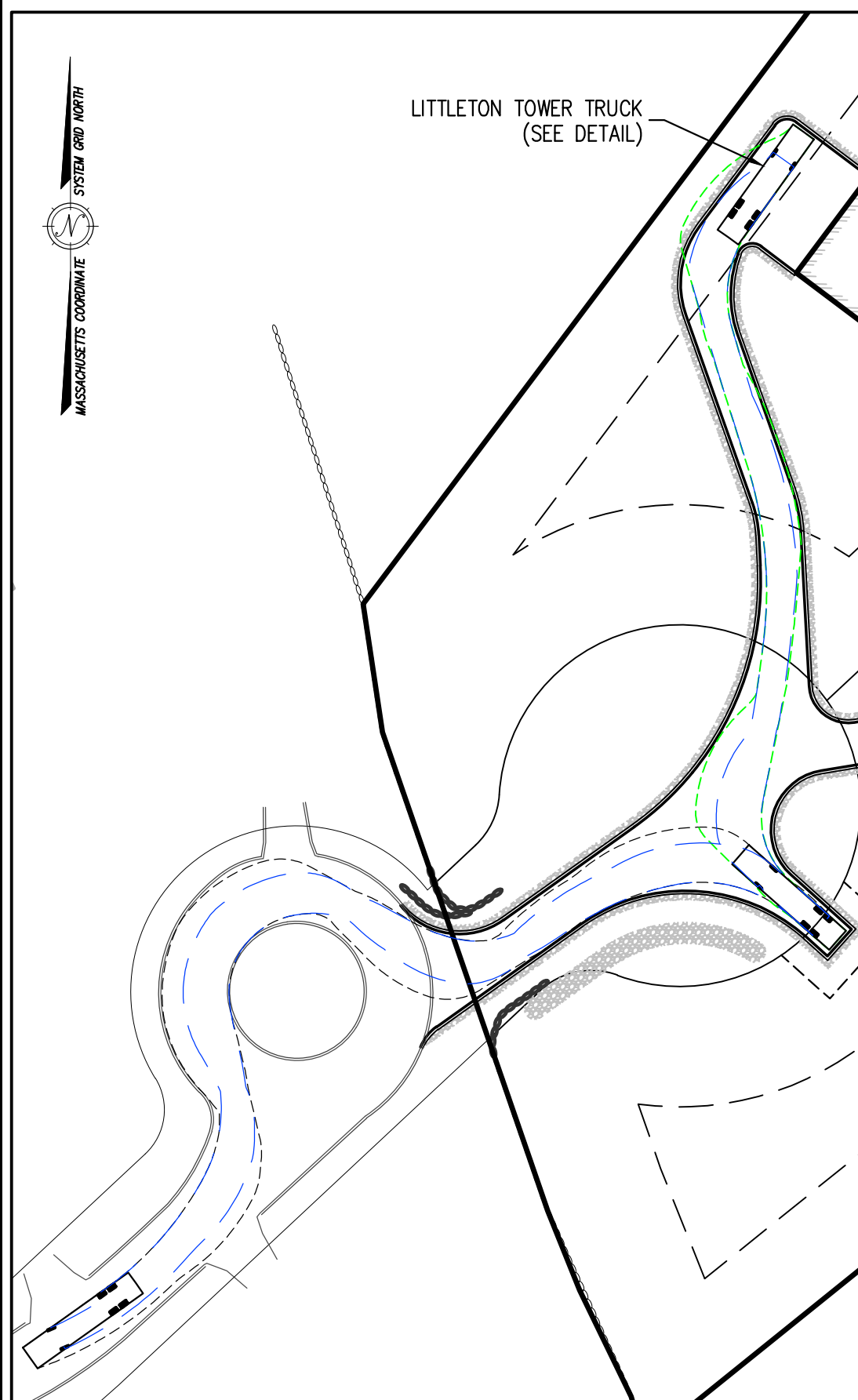


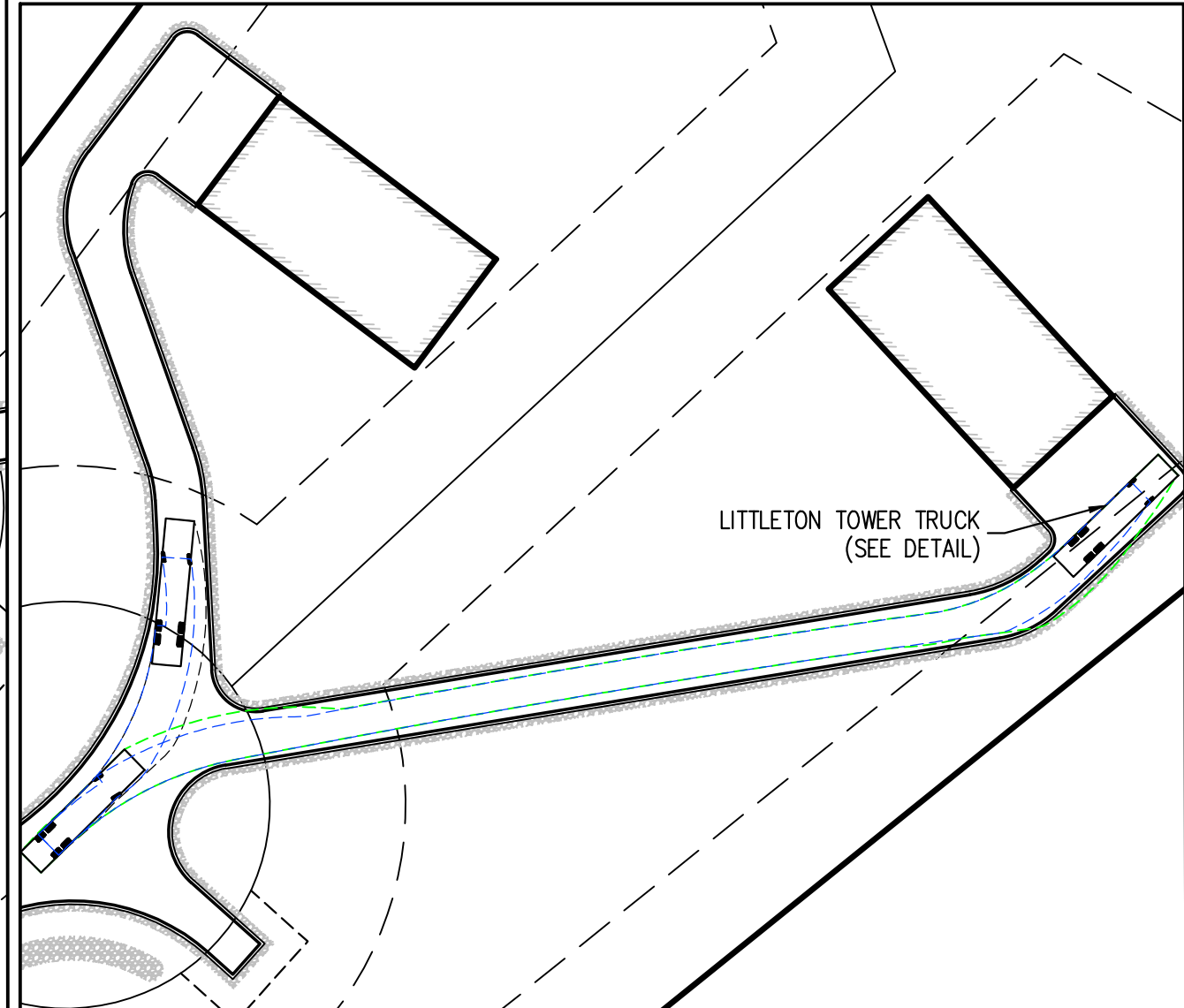
MASSACHUSETTS COORDINATE SYSTEM GRID NORTH

LITTLETON TOWER TRUCK  
(SEE DETAIL)



**TURNING EXHIBIT 1 (OUT)**

SCALE 1"=50'



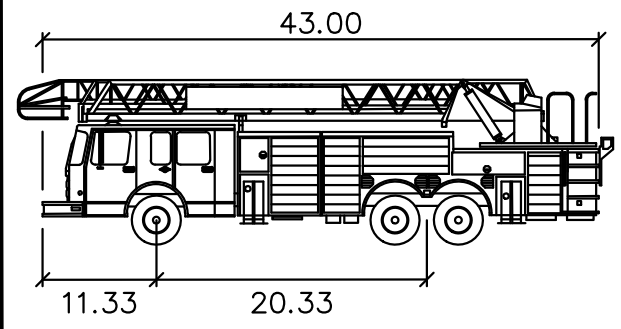
LITTLETON TOWER TRUCK  
(SEE DETAIL)

**TURNING EXHIBIT 2 (OUT)**

SCALE 1"=50'

**LEGEND**

PROP. FEATURE	DESCRIPTION
	TRUCK OVERHANG
	WHEEL PATH



Littleton Tower Truck

	feet
Width	: 8.50
Track	: 8.50
Lock to Lock Time	: 6.0
Steering Angle	: 45.6

**TOWER 1 TURNING EXHIBIT  
PRIEST LANE  
BOXBOROUGH, MASSACHUSETTS**

DATE: 5/21/21	SCALE: 1"=50'
APP.: BOXBOROUGH TOWN CENTER, LLC P.O. BOX 985 WEST ACTON, MA 01720	JOB NO. 6092 SHEET: 2 OF 2
DWG NO. 6092P- TURNING EXHIBIT	
DRAWN BY: RPV CHECKED BY: GSR	



CIVIL ENGINEERS LAND SURVEYORS WETLAND CONSULTANTS  
1 MAIN STREET, SUITE 1 LUNENBURG, MA 01462 PHONE: (978) 779-6091  
www.dillissandroy.com